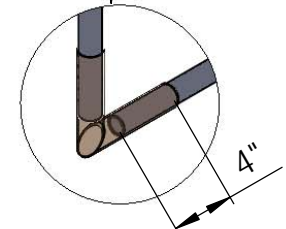
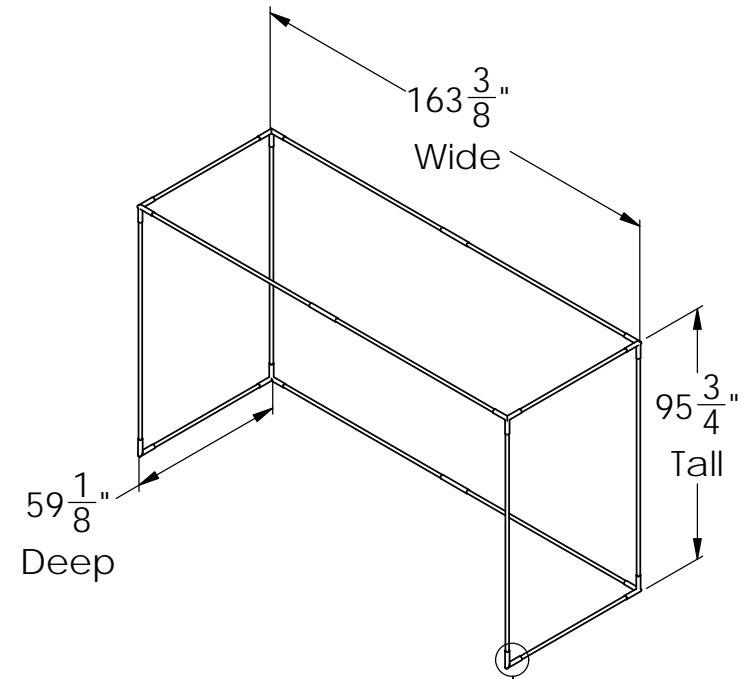
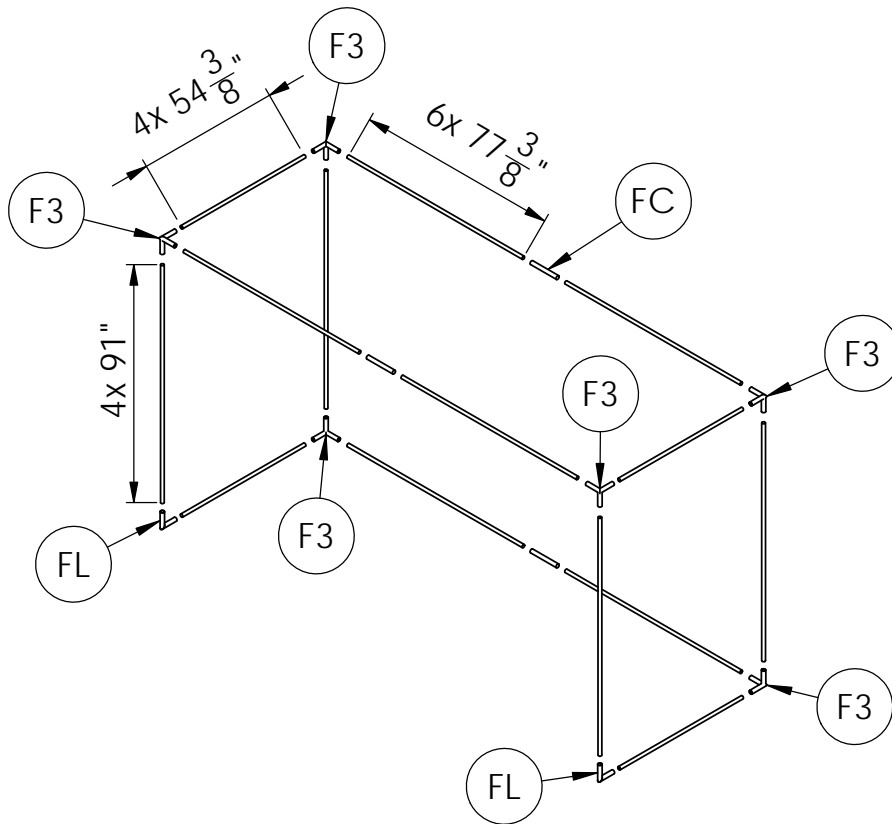


7.7x13 Impact Screen Enclosure Frame Kit



Insert EMT 4" Into Fittings

1. Cut 1" EMT to the dimensions shown on the left.
2. Assemble the frame as shown by inserting each pipe into each fitting approximately 4" and securing together with the bolts attached to each fitting. Take care not to use excessive force while tightening the bolts that hold the tubes in the fittings. One or two turns past finger tight is plenty to keep the tubes in place, and any more than that risks unnecessary deformation of the tubes.
3. During and after assembling the tubes and fittings, check that the final overall dimensions of the frame match those detailed on the right. Make any adjustments necessary and tighten down all fitting bolts.